

THE FSD SYSTEM EXPLAINED

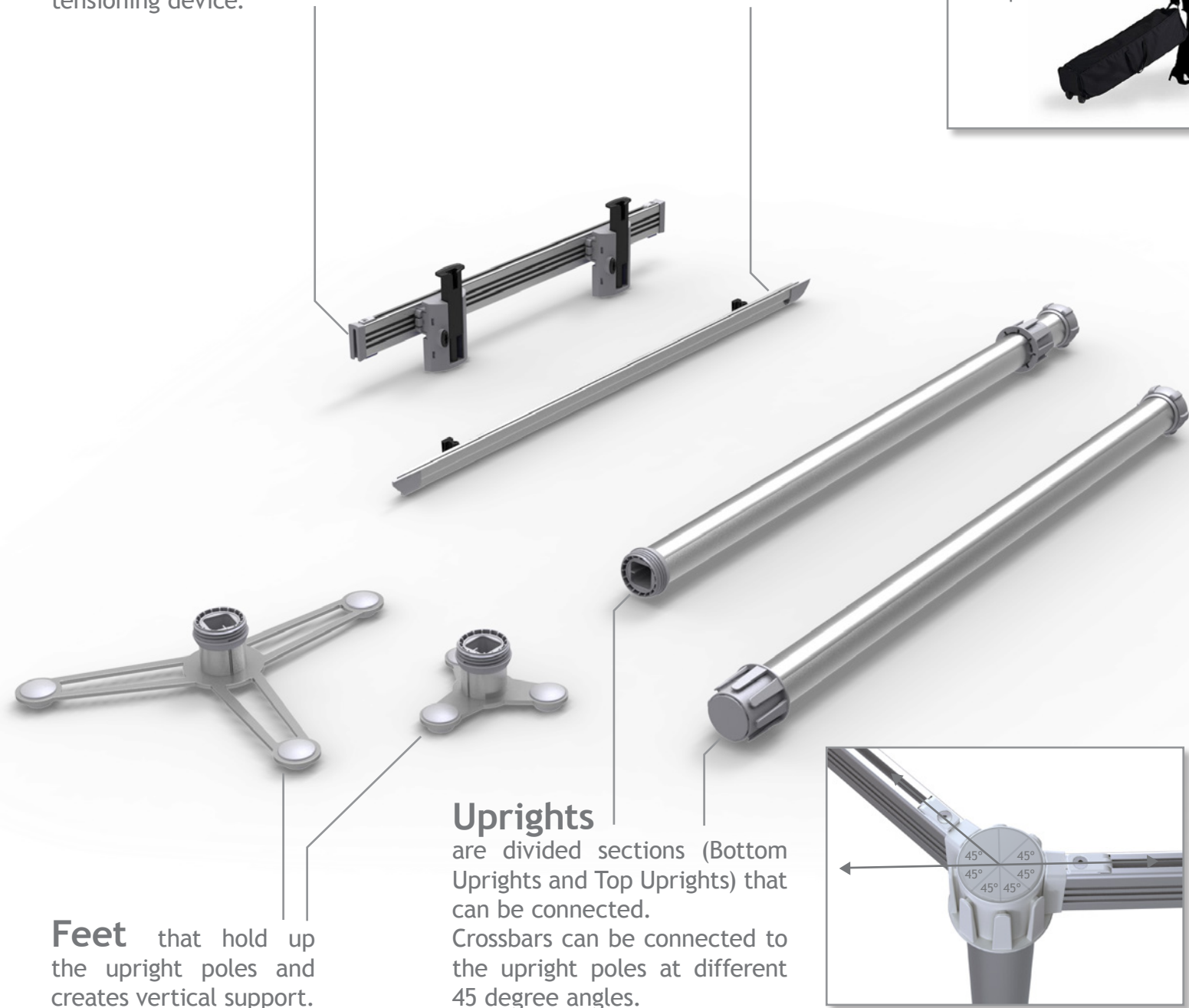
Design and build eye-catching modular tension-fabric displays. From 3D towers and freestanding billboards to backwalls and booths, the FSD display system is a sleek and sustainable solution for almost any environment.

COMPONENTS

Crossbars connect the Uprights and hold the FSD tensioning device.

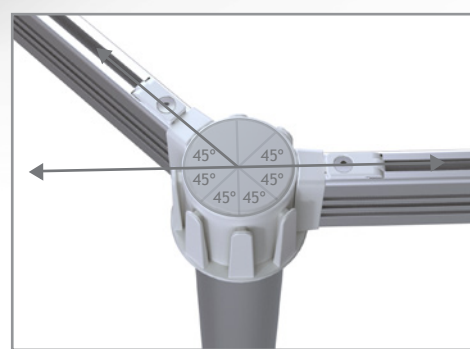
Graphic Rails to hold the fabric print in place.

Components all fit into practical soft-sided rollerbags for easy transport.



Feet that hold up the upright poles and creates vertical support.

Uprights are divided sections (Bottom Uprights and Top Uprights) that can be connected. Crossbars can be connected to the upright poles at different 45 degree angles.



Examples of display units built using the basic FSD components



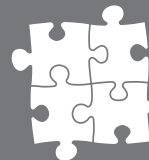
Interchangeable fabric print.

Crossbars and graphic rails can be curved.

Service counters can be done with MDF or hollow-core tops.



SUSTAINABLE
Reusable and all components 100% recyclable.



MODULAR
Allows for endless design possibilities and reconfiguration.



DURABLE
5 Year warranty on all hardware components.



LIGHT-WEIGHT
Easily transported. Save big on shipping and drayage costs.



TOOL-LESS
Displays assembled without any tools.



TIME-SAVING
Quick to set up. No installation team needed.

IMAGINE
CREATE
DISPLAY